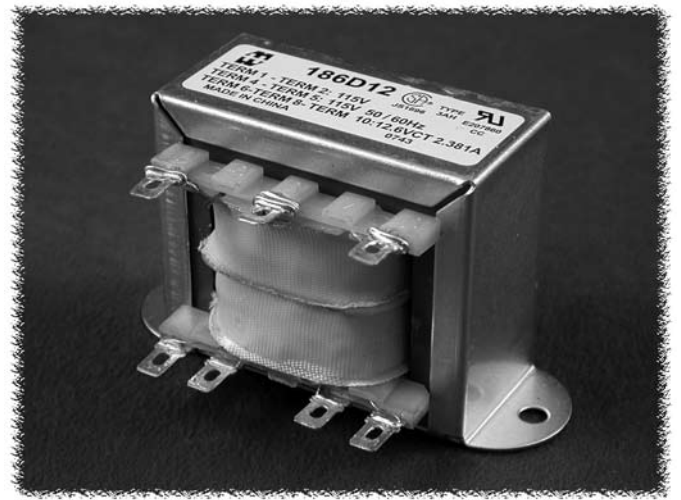


# L.V. Chassis Mount - Quick Connect (186/187 Series)

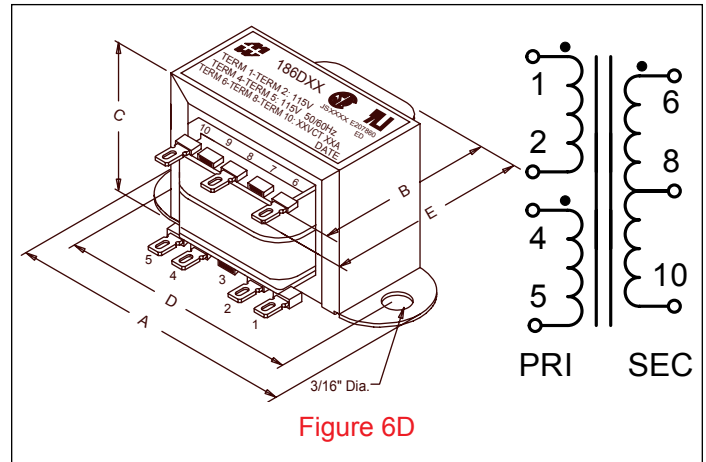
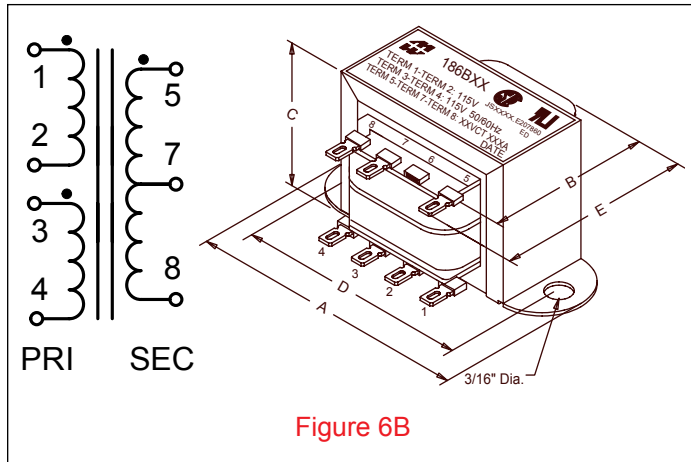
Power



## LOW VOLTAGE - OPEN STYLE CHASSIS MOUNT

- Choice of two primaries: Single Primary 115VAC or Dual Primary 115/230 VAC.
- Either series operates on 50/60 Hz.
- Combination solder or quick connect terminals.
- Split bobbin construction eliminates need for electrostatic shield.
- Hi-pot tested to 2 KV RMS.
- Economical open style, channel frame - chassis mount design
- CSA certified & UL recognized

### Transformer Schematics Dual Primary (186 Series)



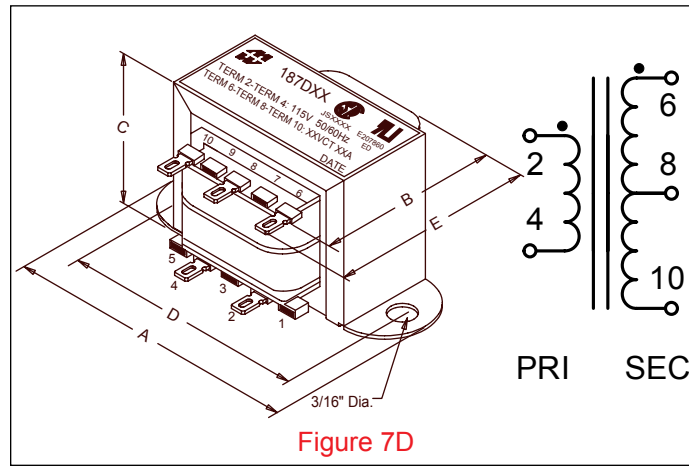
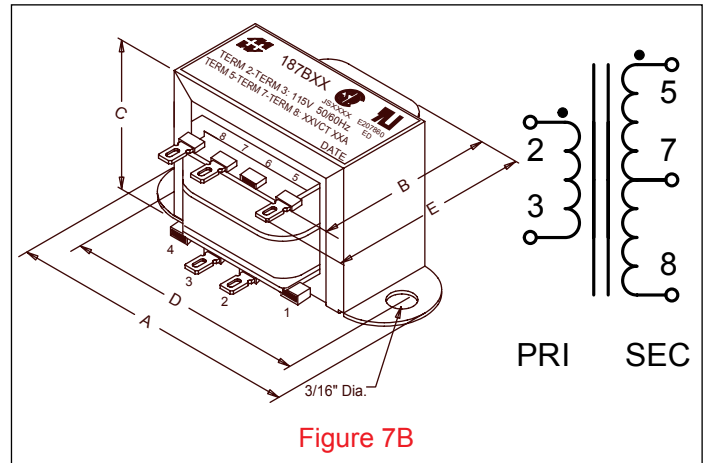
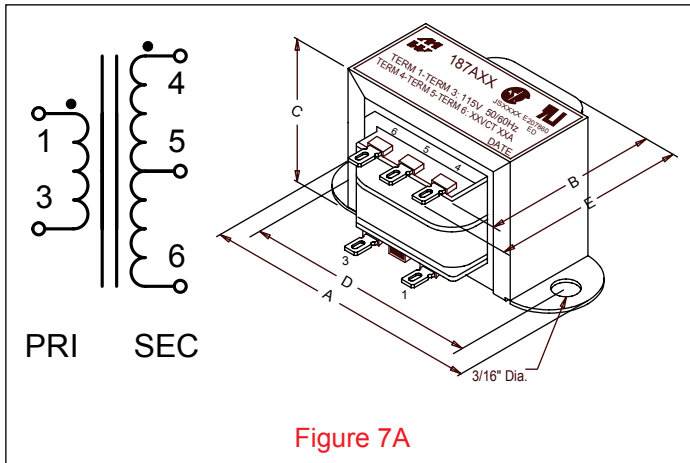
| VA Size     | Dimensions (Inches) |                                     |            |                  |                       |
|-------------|---------------------|-------------------------------------|------------|------------------|-----------------------|
|             | Length (A)          | Depth (Not Including Terminals) (B) | Height (C) | Mtg. Centers (D) | Depth To Terminal (E) |
| 2.34 - 2.50 | 2.06                | 1.06                                | 1.18       | 1.75             | 1.435                 |
| 5.60 - 6.40 | 2.37                | 1.25                                | 1.37       | 2.00             | 1.625                 |
| 12 - 12.8   | 2.81                | 1.37                                | 1.62       | 2.37             | 1.725                 |
| 30 - 32     | 3.25                | 1.68                                | 1.93       | 2.81             | 2.055                 |
| 50 - 60     | 3.68                | 1.81                                | 2.25       | 3.12             | 2.185                 |
| 96 - 102    | 4.03                | 2.25                                | 2.56       | 3.50             | 2.625                 |



# L.V. Chassis Mount - Quick Connect (186/187 Series)

Power

## Transformer Schematics Single Primary (187 Series)



| VA Size     | Dimensions (Inches) |                                     |            |                  |                       |
|-------------|---------------------|-------------------------------------|------------|------------------|-----------------------|
|             | Length (A)          | Depth (Not Including Terminals) (B) | Height (C) | Mtg. Centers (D) | Depth To Terminal (E) |
| 2.34 - 2.50 | 2.06                | 1.06                                | 1.18       | 1.75             | 1.435                 |
| 5.6 - 6.4   | 2.37                | 1.25                                | 1.37       | 2.00             | 1.625                 |
| 12.0 - 12.8 | 2.81                | 1.37                                | 1.62       | 2.37             | 1.725                 |
| 30 - 32     | 3.25                | 1.68                                | 1.93       | 2.81             | 2.055                 |
| 50 - 60     | 3.68                | 1.81                                | 2.25       | 3.12             | 2.185                 |
| 96 - 102    | 4.03                | 2.25                                | 2.56       | 3.50             | 2.625                 |



# L.V. Chassis Mount - Quick Connect (186/187 Series)

Power

| Part Number<br>Single<br>Primary<br>115VAC | Fig. | Part Number<br>Dual<br>Primary<br>115/230VAC | Fig.      | Secondary (RMS) |                   | VA<br>Rating |
|--|------|--|-----------|-----------------|-------------------|--------------|
|  |      |  |           | VAC             | Current<br>(Amps) |              |
| <b>187A10</b>                              | 7A   | <b>NOT AVAILABLE</b>                         | -         | 10V C.T.        | 0.25              | 2.5          |
| <b>187B10</b>                              | 7B   | <b>186B10</b>                                | <b>6B</b> | 10V C.T.        | 0.60              | 6.0          |
| <b>187C10</b>                              | 7B   | <b>186C10</b>                                | <b>6B</b> | 10V C.T.        | 1.20              | 12.0         |
| <b>187D10</b>                              | 7D   | <b>186D10</b>                                | <b>6D</b> | 10V C.T.        | 3.00              | 30.0         |
| <b>187E10</b>                              | 7D   | <b>186E10</b>                                | <b>6D</b> | 10V C.T.        | 5.00              | 50.0         |
| <b>187F10</b>                              | 7D   | <b>186F10</b>                                | <b>6D</b> | 10V C.T.        | 10.00             | 100.0        |
| <b>187A12</b>                              | 7A   | <b>NOT AVAILABLE</b>                         | -         | 12.6V C.T.      | 0.19              | 2.5          |
| <b>187B12</b>                              | 7B   | <b>186B12</b>                                | <b>6B</b> | 12.6V C.T.      | 0.50              | 6.3          |
| <b>187C12</b>                              | 7B   | <b>186C12</b>                                | <b>6B</b> | 12.6V C.T.      | 1.00              | 12.6         |
| <b>187D12</b>                              | 7D   | <b>186D12</b>                                | <b>6D</b> | 12.6V C.T.      | 2.50              | 31.5         |
| <b>187E12</b>                              | 7D   | <b>186E12</b>                                | <b>6D</b> | 12.6V C.T.      | 4.00              | 50.4         |
| <b>187F12</b>                              | 7D   | <b>186F12</b>                                | <b>6D</b> | 12.6V C.T.      | 8.00              | 100.8        |
| <b>187A16</b>                              | 7A   | <b>NOT AVAILABLE</b>                         | -         | 16V C.T.        | 0.15              | 2.4          |
| <b>187B16</b>                              | 7B   | <b>186B16</b>                                | <b>6B</b> | 16V C.T.        | 0.40              | 6.4          |
| <b>187C16</b>                              | 7B   | <b>186C16</b>                                | <b>6B</b> | 16V C.T.        | 0.80              | 12.8         |
| <b>187D16</b>                              | 7D   | <b>186D16</b>                                | <b>6D</b> | 16V C.T.        | 2.00              | 32.0         |
| <b>187E16</b>                              | 7D   | <b>186E16</b>                                | <b>6D</b> | 16V C.T.        | 3.50              | 56.0         |
| <b>187F16</b>                              | 7D   | <b>186F16</b>                                | <b>6D</b> | 16V C.T.        | 6.25              | 100.0        |
| <b>187A20</b>                              | 7A   | <b>NOT AVAILABLE</b>                         | -         | 20V C.T.        | 0.12              | 2.4          |
| <b>187B20</b>                              | 7B   | <b>186B20</b>                                | <b>6B</b> | 20V C.T.        | 0.30              | 6.0          |
| <b>187C20</b>                              | 7B   | <b>186C20</b>                                | <b>6B</b> | 20V C.T.        | 0.60              | 12.0         |
| <b>187D20</b>                              | 7D   | <b>186D20</b>                                | <b>6D</b> | 20V C.T.        | 1.50              | 30.0         |
| <b>187E20</b>                              | 7D   | <b>186E20</b>                                | <b>6D</b> | 20V C.T.        | 2.80              | 56.0         |
| <b>187F20</b>                              | 7D   | <b>186F20</b>                                | <b>6D</b> | 20V C.T.        | 5.00              | 100.0        |
| <b>187A24</b>                              | 7A   | <b>NOT AVAILABLE</b>                         | -         | 24V C.T.        | 0.10              | 2.4          |
| <b>187B24</b>                              | 7B   | <b>186B24</b>                                | <b>6B</b> | 24V C.T.        | 0.25              | 6.0          |
| <b>187C24</b>                              | 7B   | <b>186C24</b>                                | <b>6B</b> | 24V C.T.        | 0.50              | 12.0         |
| <b>187D24</b>                              | 7D   | <b>186D24</b>                                | <b>6D</b> | 24V C.T.        | 1.25              | 30.0         |
| <b>187E24</b>                              | 7D   | <b>186E24</b>                                | <b>6D</b> | 24V C.T.        | 2.40              | 57.6         |
| <b>187F24</b>                              | 7D   | <b>186F24</b>                                | <b>6D</b> | 24V C.T.        | 4.00              | 96.0         |
| <b>187A28</b>                              | 7A   | <b>NOT AVAILABLE</b>                         | -         | 28V C.T.        | 0.08              | 2.4          |
| <b>187B28</b>                              | 7B   | <b>186B28</b>                                | <b>6B</b> | 28V C.T.        | 0.20              | 5.6          |
| <b>187C28</b>                              | 7B   | <b>186C28</b>                                | <b>6B</b> | 28V C.T.        | 0.42              | 12.0         |
| <b>187D28</b>                              | 7D   | <b>186D28</b>                                | <b>6D</b> | 28V C.T.        | 1.07              | 30.0         |
| <b>187E28</b>                              | 7D   | <b>186E28</b>                                | <b>6D</b> | 28V C.T.        | 2.00              | 56.0         |
| <b>187F28</b>                              | 7D   | <b>186F28</b>                                | <b>6D</b> | 28V C.T.        | 3.57              | 100.0        |
| <b>187A36</b>                              | 7A   | <b>NOT AVAILABLE</b>                         | -         | 36V C.T.        | 0.06              | 2.34         |
| <b>187B36</b>                              | 7B   | <b>186B36</b>                                | <b>6B</b> | 36V C.T.        | 0.17              | 6.12         |
| <b>187C36</b>                              | 7B   | <b>186C36</b>                                | <b>6B</b> | 36V C.T.        | 0.35              | 12.6         |
| <b>187D36</b>                              | 7D   | <b>186D36</b>                                | <b>6D</b> | 36V C.T.        | 0.85              | 30.6         |
| <b>187E36</b>                              | 7D   | <b>186E36</b>                                | <b>6D</b> | 36V C.T.        | 1.50              | 54.0         |
| <b>187F36</b>                              | 7D   | <b>186F36</b>                                | <b>6D</b> | 36V C.T.        | 2.80              | 100.8        |
| <b>187A48</b>                              | 7A   | <b>NOT AVAILABLE</b>                         | -         | 48V C.T.        | 0.05              | 2.4          |
| <b>187B48</b>                              | 7B   | <b>186B48</b>                                | <b>6B</b> | 48V C.T.        | 0.12              | 6.0          |
| <b>187C48</b>                              | 7B   | <b>186C48</b>                                | <b>6B</b> | 48V C.T.        | 0.25              | 12.0         |
| <b>187D48</b>                              | 7D   | <b>186D48</b>                                | <b>6D</b> | 48V C.T.        | 0.62              | 30.0         |
| <b>187E48</b>                              | 7D   | <b>186E48</b>                                | <b>6D</b> | 48V C.T.        | 1.20              | 57.6         |
| <b>187F48</b>                              | 7D   | <b>186F48</b>                                | <b>6D</b> | 48V C.T.        | 2.00              | 96.0         |
| <b>187A56</b>                              | 7A   | <b>NOT AVAILABLE</b>                         | -         | 56V C.T.        | 0.04              | 2.5          |
| <b>187B56</b>                              | 7B   | <b>186B56</b>                                | <b>6B</b> | 56V C.T.        | 0.11              | 6.16         |
| <b>187C56</b>                              | 7B   | <b>186C56</b>                                | <b>6B</b> | 56V C.T.        | 0.21              | 12.3         |
| <b>187D56</b>                              | 7D   | <b>186D56</b>                                | <b>6D</b> | 56V C.T.        | 0.53              | 30.0         |
| <b>187E56</b>                              | 7D   | <b>186E56</b>                                | <b>6D</b> | 56V C.T.        | 1.00              | 56.0         |
| <b>187F56</b>                              | 7D   | <b>186F56</b>                                | <b>6D</b> | 56V C.T.        | 1.80              | 100.8        |
| <b>187A120</b>                             | 7A   | <b>NOT AVAILABLE</b>                         | -         | 120V C.T.       | 0.02              | 2.4          |
| <b>187B120</b>                             | 7B   | <b>186B120</b>                               | <b>6B</b> | 120V C.T.       | 0.05              | 6.0          |
| <b>187C120</b>                             | 7B   | <b>186C120</b>                               | <b>6B</b> | 120V C.T.       | 0.10              | 12.0         |
| <b>187D120</b>                             | 7D   | <b>186D120</b>                               | <b>6D</b> | 120V C.T.       | 0.25              | 30.0         |
| <b>187E120</b>                             | 7D   | <b>186E120</b>                               | <b>6D</b> | 120V C.T.       | 0.50              | 60.0         |
| <b>187F120</b>                             | 7D   | <b>186F120</b>                               | <b>6D</b> | 120V C.T.       | 0.85              | 102.0        |

